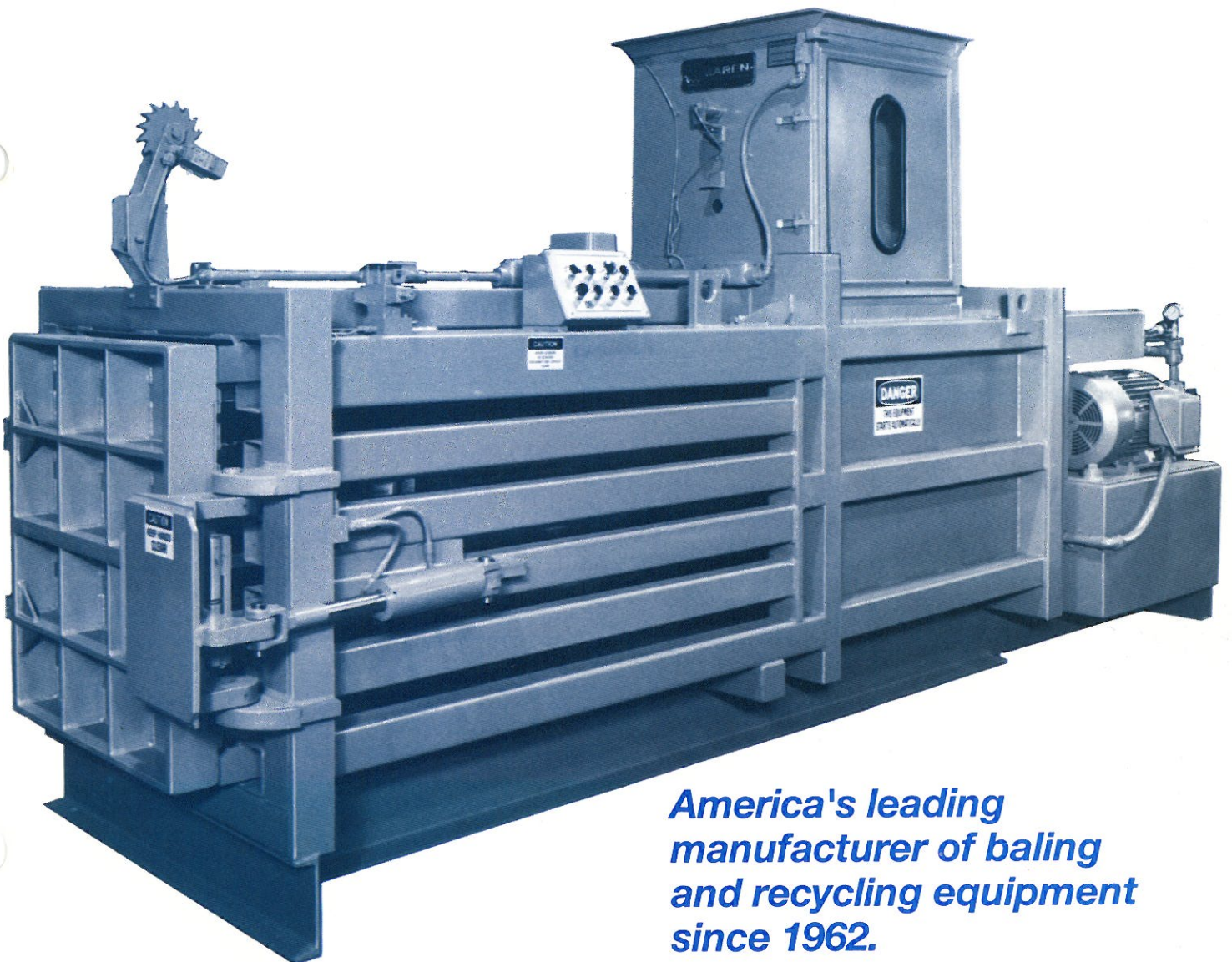




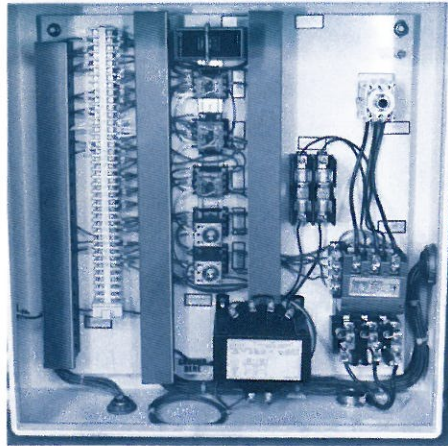
*Solve all of your chipboard,
boxboard, folding carton,
waxed and coated material
baling problems!*

MAREN 122

**Automatic, High-Density,
Closed-End Baler**



*America's leading
manufacturer of baling
and recycling equipment
since 1962.*

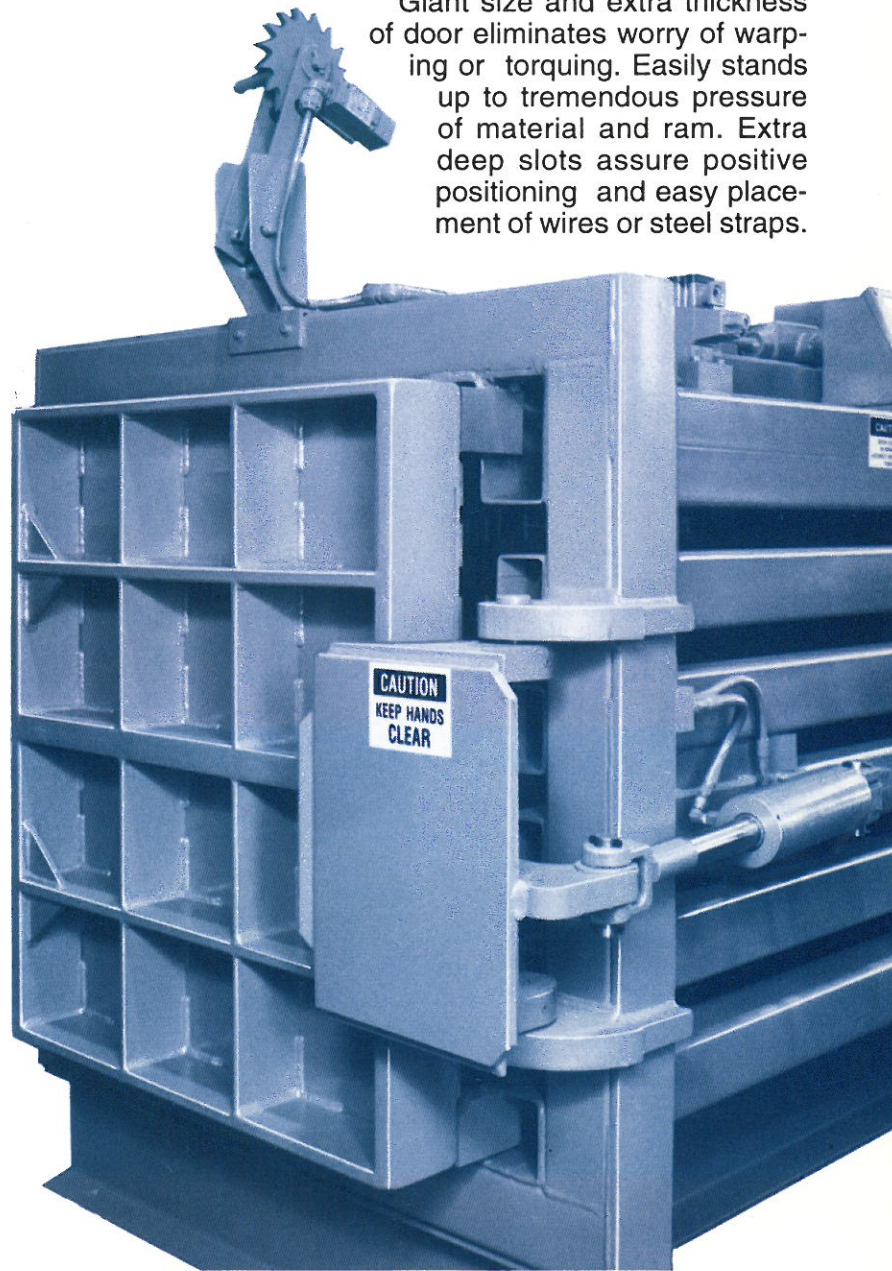


State-of-the-art Electrical Components

The Maren 122 features top of the line electrical components. Starters, timers, fuses are all supplied by leading names in electrical industry. All components are clearly labeled and easily accessed for quick easy trouble shooting.

Massive vault-type discharge door

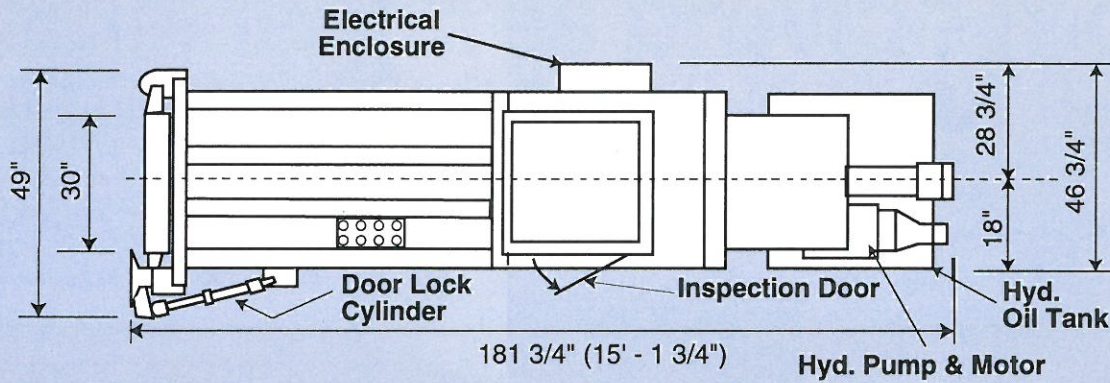
Giant size and extra thickness of door eliminates worry of warping or torquing. Easily stands up to tremendous pressure of material and ram. Extra deep slots assure positive positioning and easy placement of wires or steel straps.



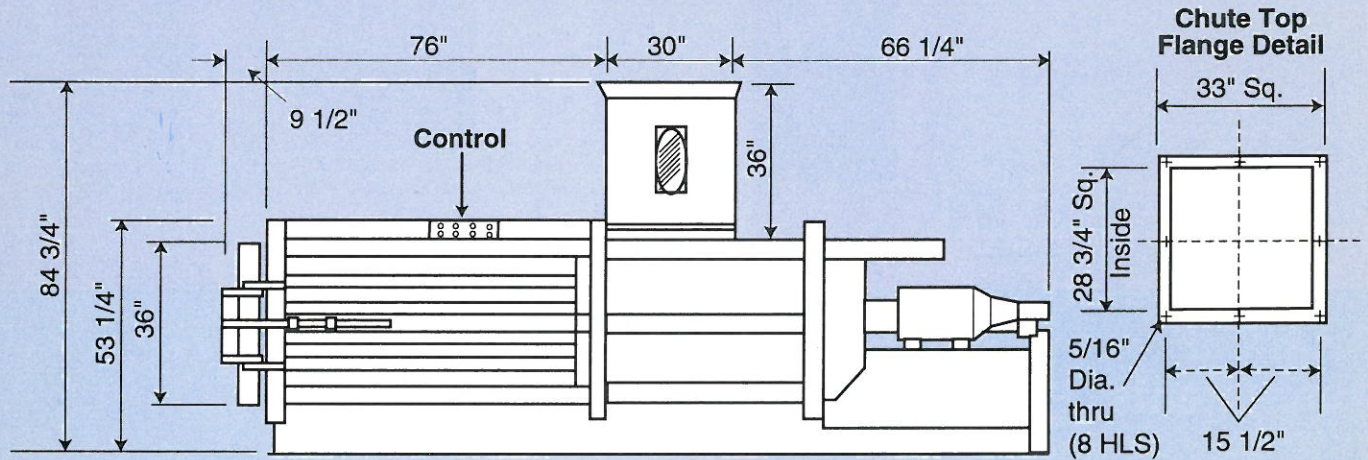
Precision Engineered Construction for years of dependable, maintenance-free operation.



The Maren 122 is by far the most efficient heavy duty baler on the market! Because of low friction factors, the Model 122 is able to produce high density bales with less pressures. For you, the improved efficiency of this baler means longer life, less wear and tear on parts, low maintenance. Its rugged heavy gauge welded steel construction is specifically designed for high density baling of the toughest materials such as boxboard, chip board, folding carton, waxed or coated materials. It produces high density mill sized bales of up to 1500 lbs., depending upon the material.



MAREN 122 Automatic Baler



Overall Dimensions	Length	15'-1 3/4"	Number of Ties	5
	Width	49"	Ram Thrust	65,400 Pounds
	Height	84 3/4"	Ram Cycle	20 Seconds
Feeder-Hopper	Length	30"	Operating Pressure	1,700 PSI
	Width	30"	Pump	25 GPM
	Depth	36"	Hydraulic Cylinder	7" Diameter x 42" Stroke
Baling Chamber	Length	76"	Motor Size	20 HP, 208/220/440-550 Volt, 3 Phase, 60 Cycle, T. E. F. C.
	Width	30"	Total Press Weight	9,200 Lbs
	Height	36"		
Product Bale	Length	72"		
	Width	30"		
	Height	36"		

*Maren designs and manufactures the most complete line of solid waste handling equipment . . .
Balers • Shredders • Pinch Conveyors • Tampers • Bale Separators • Automatic Tiers.*



MAREN
ENGINEERING CORP.

P.O. Box 278
South Holland, IL 60473
Phone 708/333-6250
Fax 708/333-7507

Maren...where the newest ideas in shredders and balers have been conceived and proven since 1962.