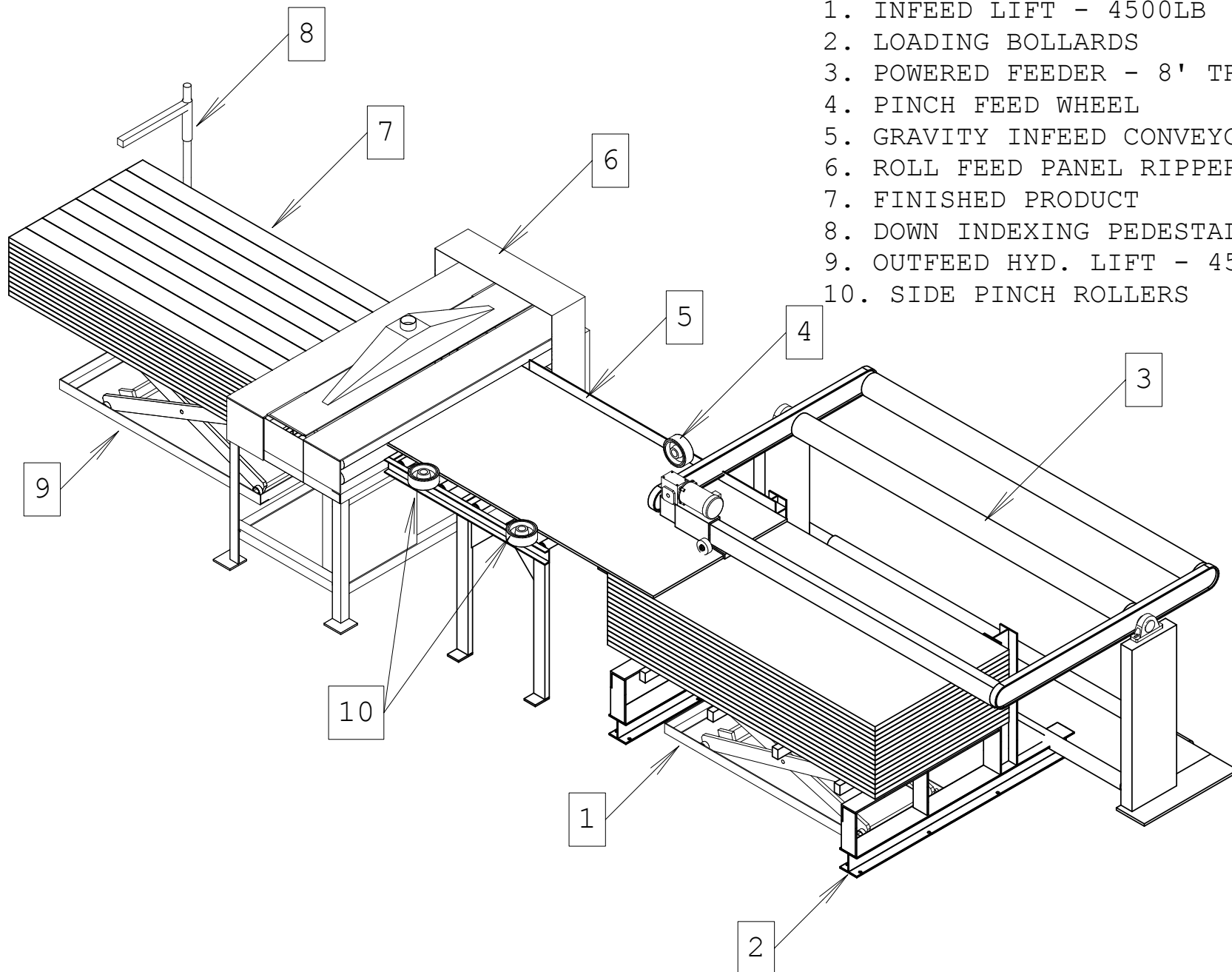


PROPERTY OF:
LAUDERDALE-HAMILTON, INC.

CONCEPT ONLY!

ACTUAL DESIGN
MAY DIFFER



1. INFEEED LIFT - 4500LB
2. LOADING BOLLARDS
3. POWERED FEEDER - 8' TRAV.
4. PINCH FEED WHEEL
5. GRAVITY INFEEED CONVEYOR
6. ROLL FEED PANEL RIPPER
7. FINISHED PRODUCT
8. DOWN INDEXING PEDESTAL
9. UTFEED HYD. LIFT - 4500LB.
10. SIDE PINCH ROLLERS

PROPERTY OF:
LAUDERDALE-HAMILTON, INC.

CONCEPT ONLY!

ACTUAL DESIGN
MAY DIFFER

